

RELIEF VALVE 10L



Features

Piping Strength

240 Nm at connection in any direction

Reseat Capability

Reseating takes place at 80% of the set point

Mount in any position

- Maximum working pressure 0.5 bar
- Maximum set pressure 500 mbar
- Temperature range -30 to 65 °C

Performance

Model 10L Valve has a designed-in aspirating characteristic that minimizes system pressure rise during relief valve operation. The relief valve curves indicates a drop in relief pressure with increasing flow followed by a gradual rise as the valve strokes to full open position.

Set point recommendations

The relief valve set point should be sufficiently above the nominal system pressure to accommodate the relief valve operation characteristic. The suggested minimum set is 1.25 times the nominal system pressure.

Specification

Connection: 1"

Weight: 0.7 kg

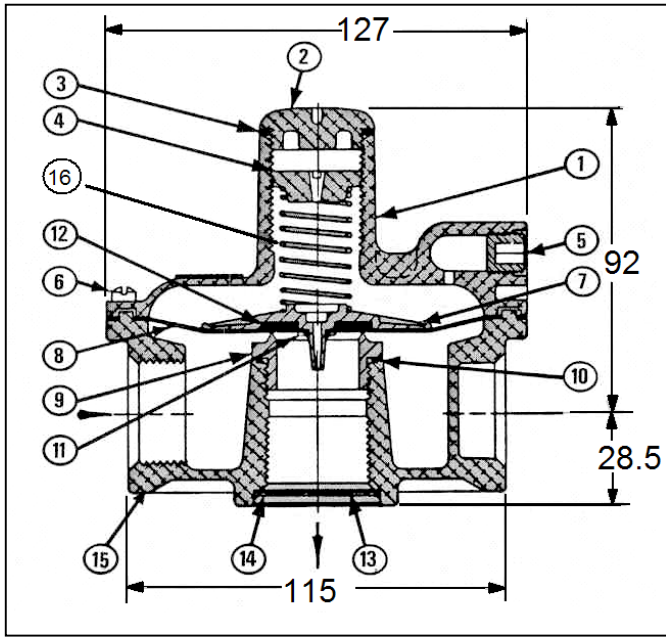
Set Point Flow

Set points are made at 0.15 m³

IGA



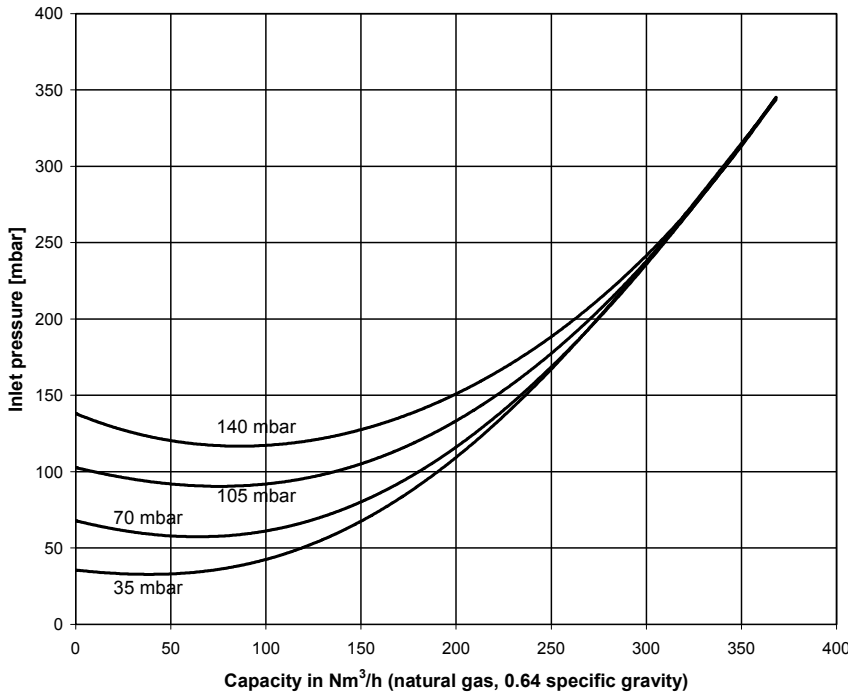
RELIEF VALVE 10L



Dimensions in mm

Item	Description	Part number
1	Top	542112
2	Plug, Seal	512106
3	Gasket, Seal Plug	560021
4	Screw, Adjusting	563002
5	Plug, Pipe	542107
6	Screw, Body	568014
7	Plate, Diaphragm	542101
8	Diaphragm	542103
9	Orifice	542102
10	Gasket, Orifice	542110
11	Retainer, Diaphragm	542111
12	Pad, Back-Up	542104
13	Screen, Vent	542108
14	Retainer, Screen	
15	Body	542109
Pressure range		
16	Spring 25-50 mbar	542001
	Spring 50-100 mbar	542002
	Spring 100-180 mbar	542003
	Spring 180-250 mbar	512004
	Spring 190-500 mbar	513064

Capacity curves 10L



Performance

The 10L Relief Valve has a designed-in aspirating characteristic that minimizes system pressure rise during relief valve operation. The relief valve curves indicate a drop in relief pressure with increasing flow followed by a gradual rise as the valve strokes to full open position.

Set Point

Recommendations

The relief valve set point should be sufficiently above the nominal system pressure to accommodate the relief valve operation characteristic. The suggested minimum set is 1.25 times the nominal system pressure.

IGA



An Elster Amco Company

ELSTER  **AMCO**

Your contacts

Europe
 Internationale Gas Apparaten BV
 Industrieweg 7
 5140 AK Waalwijk
 The Netherlands
 Phone +31(0)416 342 169
 Fax +31 (0)416 341 375
 E mail info@iga-gas.nl

Asia, Australia
 ELSTER AG
 Singapore Representative Office
 80 Marine Parade Road
 #09-04 Parkway Parade
 Singapore 449269
 Phone +65 6247 7728
 Fax +65 6247 7729



WWW.IGA-GAS.nl